

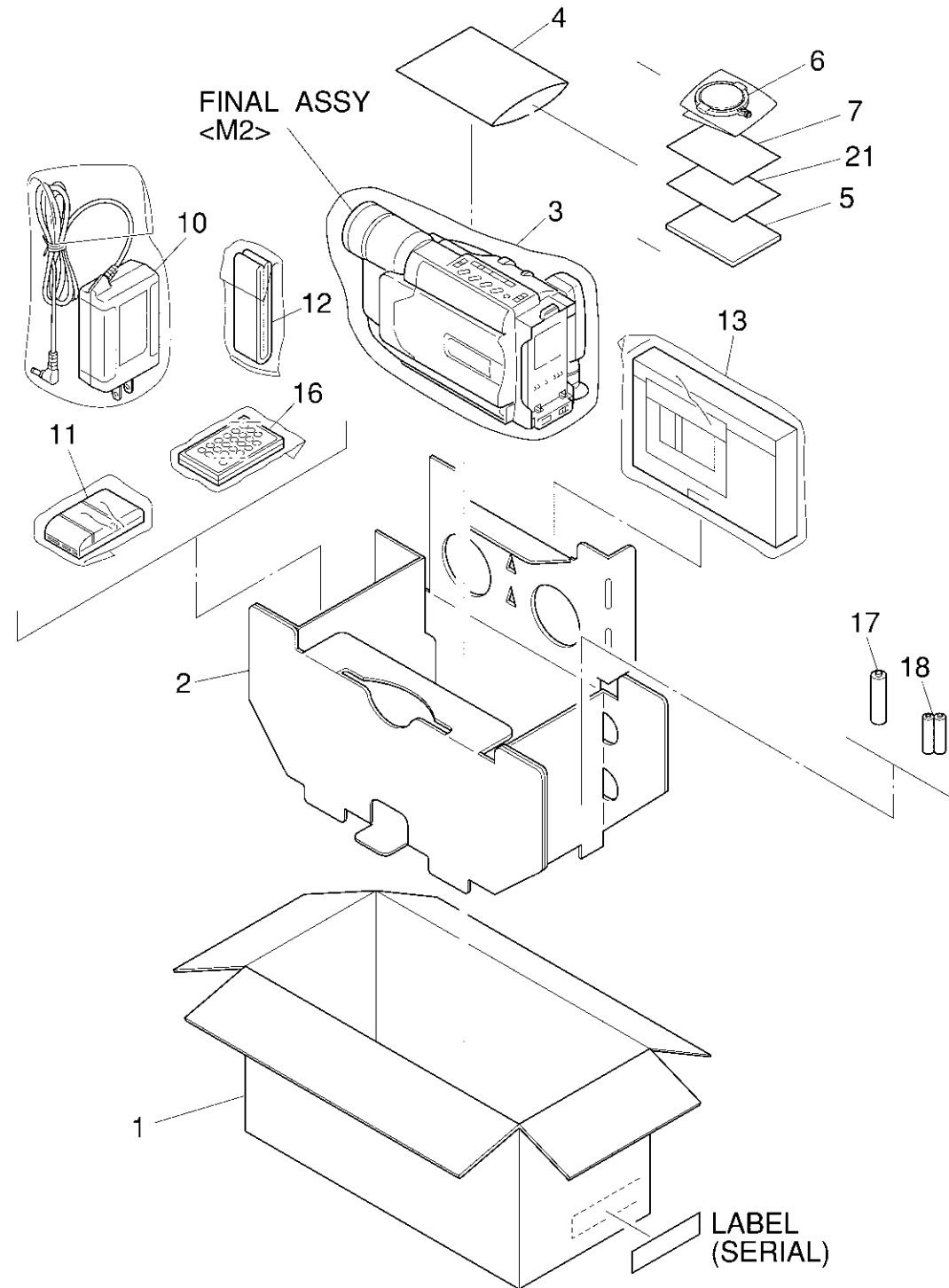
## SECTION 5 PARTS LIST

### SAFETY PRECAUTION

Parts identified by the  $\triangle$  symbol are critical for safety. Replace only with specified part numbers.

#### 5.1 PACKING AND ACCESSORY ASSEMBLY <M1>

The instruction manual to be provided with this product will differ according to the destination.



#  $\triangle$  REF No. PART No. PART NAME, DESCRIPTION  
\*\*\*\*\*

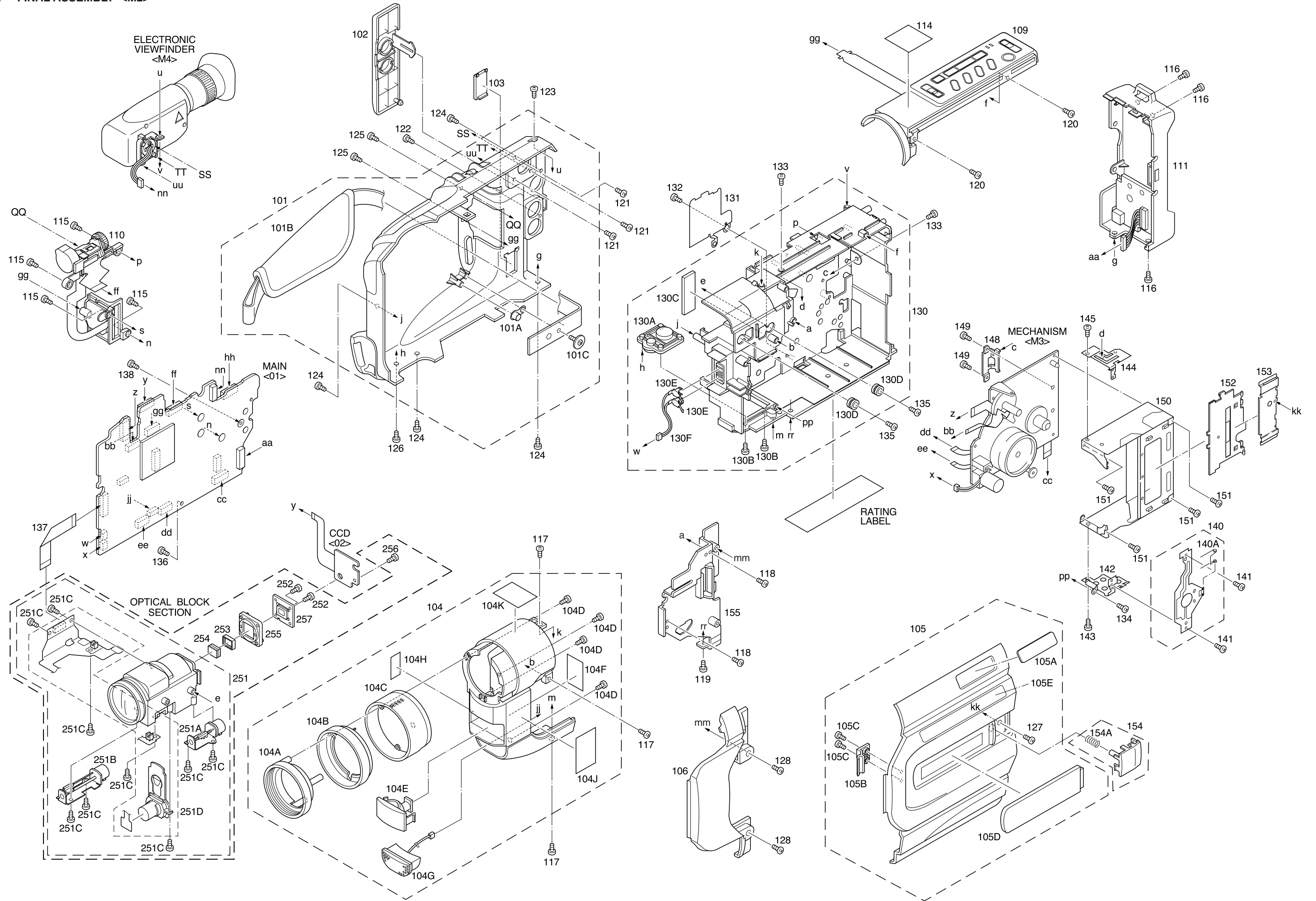
#### PACKING AND ACCESSORY ASSEMBLY <M1>

1	LY32179-001A	PACKING CASE,A,B,C
	LY32179-003A	PACKING CASE,D
2	LY32065-001A	CUSHION
3	LY30023-002A	POLY BAG
4	QPA02003506	POLY BAG
$\triangle$ 5	LYT0706-001A	IB(FR),B
$\triangle$	LYT0689-001A	IB(EN),A,B,D
$\triangle$	LYT0690-001A	IB(EN),C
6	LY41538-002B	LENS CAP
7	BT-51020-2	REGIST.CARD,A,C,D
	BT-52004-1	WARRANTY CARD,B
$\triangle$ 10	LY20739-001A	AC ADAPTER,AP-V10U
$\triangle$ 11	YQ10629A	BATTERY PACK,BN-V11U
12	LY20186-001A	SHOULDER STRAP
13	YQ31963A-3	CASSETTE ADAPTER,C-P7U
	or YQ31963B-3	CASSETTE ADAPTER
16	LY42129-001A	REMOTE CONTROLLER,RM-V715U,C
17	—	AA(R6)BATTERY,FOR CAS.ADAPTER
18	—	AAA(R03)BATTERY,X2,FOR RCU,C
21	BT-20071B	SER.NET CARD,B

• INSTRUCTIONS  
EN ..... ENGLISH  
FR ..... FRENCH

MODEL	MARK
GR-AX760U	A
GR-AX760UC	B
GR-AX761U	C
GR-SX860U	D

5.2 FINAL ASSEMBLY <M2>

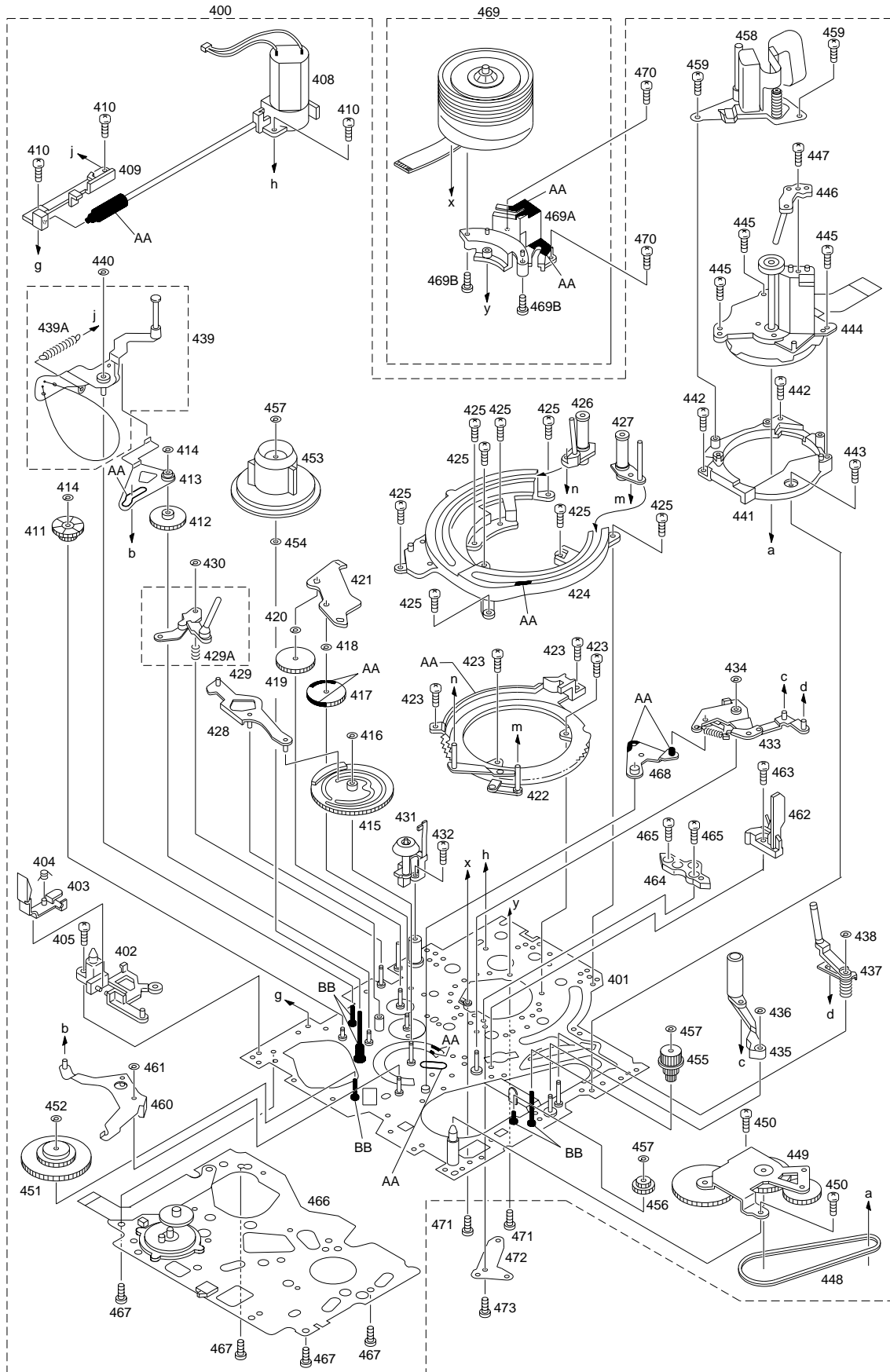


#	△ REF No.	PART No.	PART NAME, DESCRIPTION	#	△ REF No.	PART No.	PART NAME, DESCRIPTION
*****							
<b>FINAL ASSEMBLY &lt;M2&gt;</b>							
△	101	LY20684-001B	LOWER CASE ASSY,A,B,C	130E		YQ43810-1-1	CONTACT(LIGHT),X2,C
		LY20684-003B	LOWER CASE ASSY,D	130F		WJM0167-001A	E-SI C WIRE C-F,C
	101A	LY40081-001A	CAP	131		LY42758-001A	S.CASE(MAIN)
	101B	LY20682-001A	GRIP BELT	132		QYSPSTU1725M	SCREW
	101C	LY30018-003A	SPECIAL SCREW	133		LY41173-001A	SPECIAL SCREW,X2
	102	LY31945-001C	COVER(JACK)	134		QYSLSF1750D	SCREW
	103	LY31946-001A	COVER(JIG)	135		LY30018-050A	SPECIAL SCREW,X2
	104	LY20683-002B	FRONT COVER ASSY,A,B,D	136		LY42981-001A	SPECIAL SCREW
		LY20683-008B	FRONT COVER ASSY,C	137		WJT0039-001A	E-CARD WIRE,OP-MAIN CN15
	104A	LY31937-001A	HOOD	138		QYSLSF2060D	SCREW
	104B	LY31938-001A	COVER(HOOD)	140		LY31790-001A	FRONT FRAME ASSY
	104C	LY31936-001A	RING	140A		YQ44144-1-1	TAPE GUIDE
	104D	QYSLSF2060D	SCREW,X4	141		SPSH1725M	SCREW,X2
	104E	LY32040-001A	DC LIGHT,C	142		LY31807-001A	SIDE BRACKET L
		LY30934-015A	COVER(LIGHT),A,B,D	143		LY42722-003A	SCREW
	104F	LY30029-0B4A	SPACER(A),C	144		LY31806-001A	SIDE BRACKET R
	104G	LY32043-001A	MICROPHONE	145		LY42722-003A	SCREW
△	104H	YQ44341-6	CAUTION LABEL,C	148		LY31816-001A	BRACKET(MECHA)
	104J	LY32058-001A	STICKER(A),A,B,D	149		LY42722-003A	SCREW,X2
		LY32058-002A	STICKER(A),C	150		LY31808-001A	CASS.HOUSING ASSY
	104K	LY32060-001A	STICKER(C)	151		LY42722-003A	SCREW,X4
	105	LY20680-002A	CASS.COVER(S)ASSY,A,B,C	152		LY31294-001B	CASS.COVER INSIDE
		LY20680-006A	CASS.COVER(S)ASSY,D	153		LY32026-001B	BRACKET(C.C/S)
	105A	LY42883-001A	MARK	154		LY32041-001D	BUTTON(P)ASSY
	105B	LY32024-001A	HINGE(CASS.COVER)	154A		LY30002-049B	COMPRESSION SPRING
	105C	QYSLSF2060D	SPECIAL SCREW,X2	155		LY32038-001A	UPPER COVER(S)ASSY
	105D	LY32023-002A	WINDOW(S),A,B,C	155A		LY42803-001A	BRACKET
		LY32023-003A	WINDOW(S),D	<b>- OPTICAL BLOCK SECTION -</b>			
	105E	LY32059-001A	STICKER(B),A,B,C	251		LY30948-003A	OP BLOCK ASSY
		LY32059-002A	STICKER(B),D	251A		PTY30948-002	FOCUS MOTOR
	106	LY10272-006A	UPPER CASE(S),D	251B		PTY30948-301	ZOOM MOTOR
		LY10272-007A	UPPER CASE(S),A,B	251C		PTY30151-016	SCREW,X9
		LY10272-008A	UPPER CASE(S),C	251D		PTY30948-006	IRIS MOTOR UNIT,INCL.FPC
	109	LY20614-004B	TOP OPE UNIT,A,B,D	252		QYSPSGU2080Z	SCREW,X2
		LY20614-010B	TOP OPE UNIT,C	253		LY31441-001A	SPACER RUBBER
	110	LY20613-001A	ZOOM UNIT	254		LY41757-001A	OPTICAL LPF
	111	LY20615-006A	REAR UNIT	255		LY20346-001A	CCD SPACER
	114	LY32061-005A	STICKER(D)	256		LY30018-072A	SPECIAL SCREW
	115	QYSLSF2060D	SCREW,X4	257		LYH40047-001A	CCD BASE ASSY
	116	QYSLSF2060D	SCREW,X3				
	117	QYSLSF2060D	SCREW,X3				
	118	QYSLSF2060D	SCREW,X2				
	119	QYSLSP2030D	SCREW				
	120	QYSLSF2060D	SCREW,X2				
	121	QYSLSF2050Z	SCREW,X3				
	122	QYSLSF2060D	SCREW				
	123	QYSLSF2060D	SCREW				
	124	QYSLSF2060D	SCREW,X4				
	125	QYSLSF2060D	SCREW,X2				
	126	QYSLSF2060D	SCREW				
	127	QYSLSP2030D	SCREW				
	128	QYSLSF2060D	SCREW,X2				
	130	LY20678-001A	FRAME ASSY,C				
		LY20678-002A	FRAME ASSY,A,B,D				
	130A	YQ31843	BASE				
	130B	QYSLSF2060D	SCREW,X2				
	130C	LY30029-0A4A	SPACER(A)				
	130D	LY41082-001A	CUSHION(OP),X2				

5.3 MECHANISM ASSEMBLY <M3>

**BEWARE OF BOGUS PARTS**

Parts that do not meet specifications may cause trouble in regard to safety and performance. We recommend that genuine JVC parts be used.



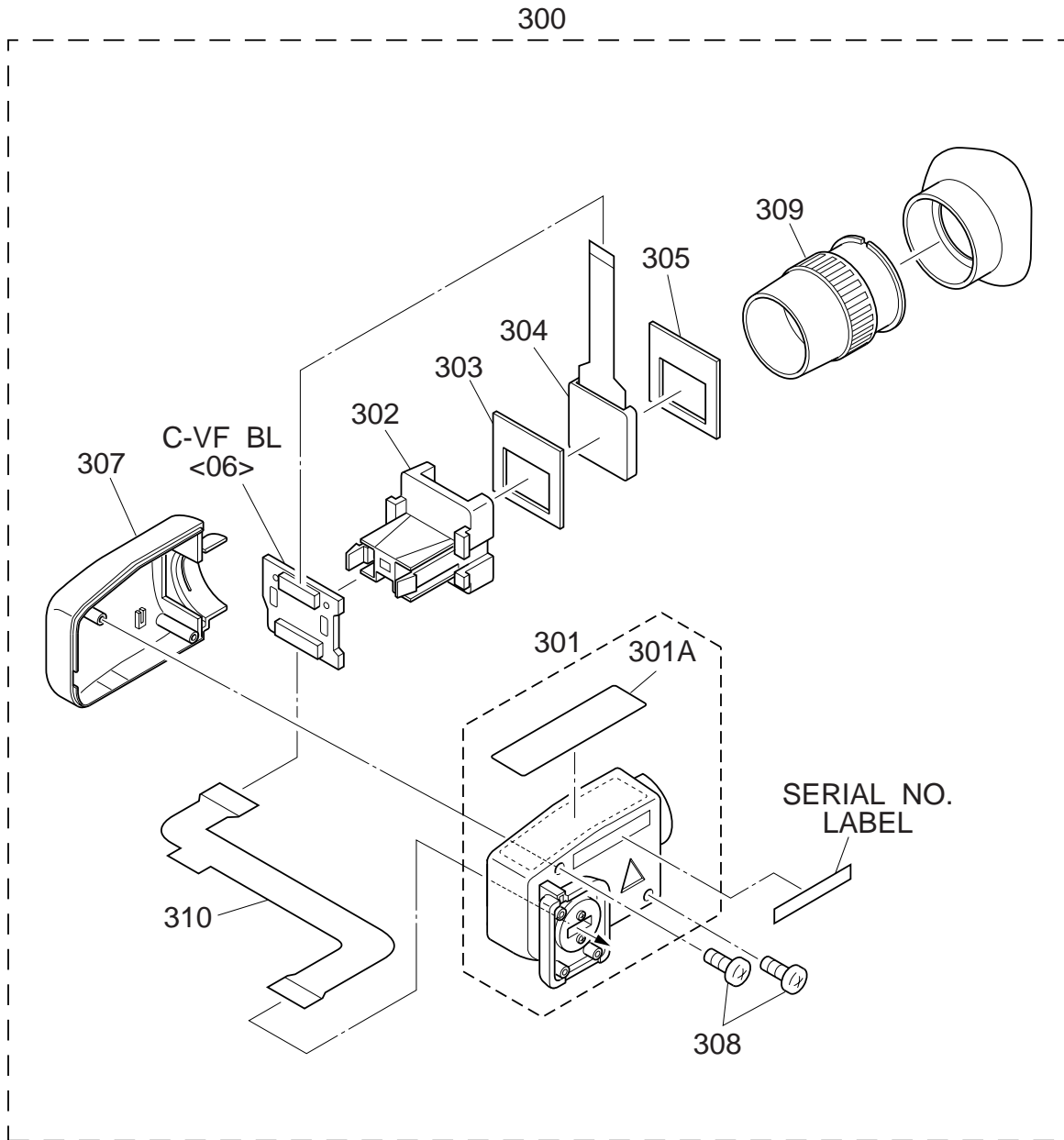
Classification	Part No.	Symbol in drawing
Grease	KYODO-SH-P	AA
Oil	YTU94027	BB

**NOTE:** The section marked in **AA** and **BB** indicate lubrication and greasing areas.

#	△ REF No.	PART No.	PART NAME, DESCRIPTION	#	△ REF No.	PART No.	PART NAME, DESCRIPTION
*****							
<b>MECHANISM ASSEMBLY &lt;M3&gt;</b>							
400		YMA0030A-E	MECHA(B)ASSY,A,B,C	454		LY42755-001A	WASHER
		YMA0031A-E	MECHA(B)ASSY,D	455		LY31924-001A	TAKE-UP GEAR
401		LY20612-001A	MAIN DECK ASSY	456		LY42738-001A	BRAKE SUB GEAR
402		LY31817-001A	CASS.GUIDE(L)	457		LY42754-003A	SLIT WASHER,X3
403		LY31815-001A	SW LEVER (L)	458		LY42544-001A	A/C HEAD UNIT
404		LY42581-001A	TORSION SPRING	459		SPSN1750Z	SCREW,X2
405		LY42722-001A	SCREW	460		LY42517-001A	EJECT LEVER ASSY
406		YQ44339A-7	C.GUIDE(R)ASSY,D	461		LY42754-003A	SLIT WASHER
406A		YQ32162-1-3	SW.LEVER(R),D	462		YQ31833-1-1	LED GUIDE
406B		YQ44340-1-4	TORSION SPRING,D	463		LY42722-001A	SCREW
407		LY42819-001A	SCREW,D	464		LY42729-001A	DRUM SPACER
408		LY31826-001A	MOTOR BRACKET ASSY	465		LY42722-001A	SCREW,X2
409		YQ20793	WORM BRACKET	466		QSW0888-001	ROTARY ENCODER,A,B,C
410		LY42722-001A	SCREW,X3			QSW0888-002	ROTARY ENCODER,D
411		LY31925-001A	WHEEL GEAR	467		LY42722-002A	SCREW,X4
412		LY42730-001A	MIDDLE GEAR	468		LY31814-001A	LINK LEVER
413		LY42521-001A	CANCEL LEVER ASSY	469		YDV2098A	DRUM ASSY
414		LY42754-003A	SLIT WASHER,X2	469A		YDM1003-1-5	CATCHER
415		YQ20827-2-1	CONTROL CAM	469B		QYSPSPU1735M	SCREW,X2
416		PQM30017-25	SLIT WASHER	470		LY42722-001A	SCREW,X2
417		LY42733-001A	LOADING GEAR(T)ASSY	471		SPSH1740Z	SCREW,X2
418		LY42754-003A	SLIT WASHER	472		YU42051	BRUSH
419		LY42732-001A	LOADING GEAR(S)ASSY	473		LY42722-003A	SCREW
420		LY42754-003A	SLIT WASHER				
421		LY42403-001A	COVER PLATE				
422		LY42452-001A	LOADING RING ASSY				
423		LY42728-001A	SCREW,X4				
424		LY10239-001A	GUIDE RAIL				
425		LY42728-001A	SCREW,X8				
426		LY30161-001B	POLE BASE(S)ASSY				
427		LY30162-002A	POLE BASE(T)ASSY				
428		LY42523-001A	DRIVE LEVER ASSY				
429		LY42545-001A	SLANT ARM ASSY				
429A		LY42547-001A	TORSION SPRING(S)				
430		LY42754-003A	SLIT WASHER				
431		LY42739-001A	ROLLER BASE ASSY				
432		LY42722-001A	SCREW				
433		LY42494-001A	LINK ARM ASSY				
434		PQM30017-25	SLIT WASHER				
435		LY40018-002A	PINCH ROLLER ARM ASSY				
436		PQM30017-25	SLIT WASHER				
437		LY42541-001B	TAKE-UP GUIDE ARM ASSY				
438		LY42754-003A	SLIT WASHER				
439		LY42571-001A	TENSION ARM ASSY				
439A		LY42669-001A	TENSION SPRING				
440		LY42754-003A	SLIT WASHER				
441		YQ20797-1-5	MOTOR BASE				
442		LY42722-001A	SCREW,X2				
443		YQ44460	SCREW				
444		QAR0116-001	CAPSTAN MOTOR				
445		YQ44304	TAP SCREW,X3				
446		LY42731-001A	SLANT POLE BASE ASSY				
447		YQ44304	TAP SCREW				
448		YQ43710-2	TIMING BELT				
449		LY42678-001A	CENTER PULLEY UNIT				
450		LY42722-002A	SCREW,X2				
451		LY42670-001A	SUPPLY CLUTCH ASSY				
452		LY42754-003A	SLIT WASHER				
453		YQ31861-1-7	REEL DISC				



5.4 ELECTRONIC VIEWFINDER ASSEMBLY <M4> [AX761U/SX860U]



# Δ REF No. PART No. PART NAME, DESCRIPTION  
 \*\*\*\*\*

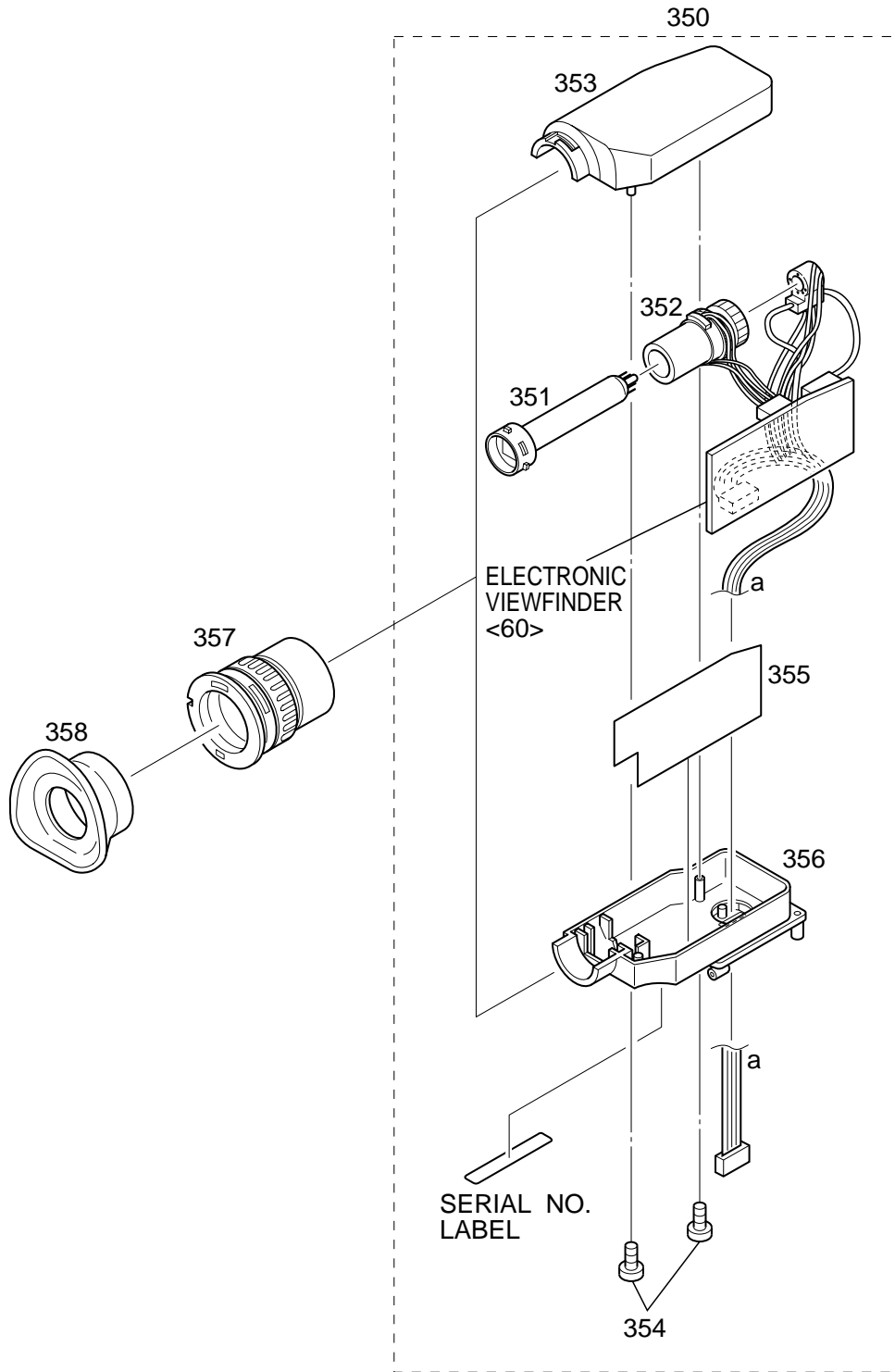
**ELECTRONIC VIEWFINDER ASSEMBLY <M4> [AX761U,SX860U]**

Δ 300	LYH20242-001A	E.VF ASSY
Δ 301	LY32068-001A	BOTTOM CASE ASSY
301A	LY42882-001A	LABEL(COL/CAUT)
302	LY31942-001A	HOLDER(LED)

# Δ REF No. PART No. PART NAME, DESCRIPTION  
 \*\*\*\*\*

303	LY43013-001A	SPACER(HOLDER)
304	QLD0117-001	LCD MODULE
305	LY42171-001A	SPACER(LED)
Δ 307	LY10137-001C	TOP CASE
308	QYSPSGT1760D	TAP SCREW,X2
309	LY20309-001B	EYE P.ASSY
310	QAL0269-001	FPC

5.4 ELECTRONIC VIEWFINDER ASSEMBLY <M4> [AX760U/UC]



#	△	REF No.	PART No.	PART NAME, DESCRIPTION
*****				
<b>ELECTRONIC VIEWFINDER ASSEMBLY &lt;M4&gt; [AX760U/UC]</b>				
△		350	LY20701-001A	E.VF ASSY
△		351	PEDP0193	CRT
△		352	QQD0026-001	DEFLECTION YOKE

#	△	REF No.	PART No.	PART NAME, DESCRIPTION
△		353	LY10165-001B	CASE(L)
		354	QYSPSGU1760M	SCREW,X2
△		355	LY41280-001A	SHEET(SHIELD)
△		356	PTY20701-011	BOTTOM CASE ASSY
		357	PTY20374-201	LENS ASSY
		358	LY20411-001A	EYE CAP

5.5 ELECTRICAL PARTS LIST

MODEL	MARK
GR-AX760U	A
GR-AX760UC	B
GR-AX761U	C
GR-SX860U	D

#	△ REF No.	PART No.	PART NAME, DESCRIPTION
*****			
<b>MAIN BOARD ASSEMBLY &lt;01&gt;</b>			
PW		YB10310UA-02	MAIN BOARD ASSY,A,B
		YB10310UB-03	MAIN BOARD ASSY,C
		YB10310UE-03	MAIN BOARD ASSY,D
IC101		UPD703039-028	IC(MICRO C ROM)
		or UPD70F3040-028	IC(MICRO C ROM)
IC102		TC7S86FU	IC(DIGITAL)
		or MC74VHC1G86DF	IC
		or SN74AHC1G86K	IC
IC104		AT25080N-10SC-X	IC
		or X25170S8I-2.5-X	IC
		or 25LC080-I/SN-X	IC
IC105		M62367GP	IC
IC106		IC-PST9327U-X	IC
IC107		RS5C314	IC
△ IC1601		BD6630KV	IC
IC1801		PIC-26043S	IR DETECT UNIT,C
IC2001		MC74AC04DT	IC
IC3001		JCY0130	IC
IC3002		SN74AHC1G04K	IC
IC3501		HA118224F	IC
IC4001		JCY0149	IC
IC4003		UPD6467GR-506-X	IC(MICRO C ROM)
IC4004		MM1385NN-X	IC
IC4201		UPC358G2/5/-W	IC
IC4202		BA10324AF-XE	IC
IC4251		BA10358F-XE	IC
IC4501		UPD16835G3	IC
IC5201		HD49326BF	IC
IC5202		JCY0098	IC
IC6001		FA3698F	IC
IC7001		CXD3518R	IC,C,D
IC7005		BA4558F	IC,C,D
IC7008		SN74LV4052APW	IC,C,D
Q101		2SA1774/RS/-X	TRANSISTOR
Q102		DTC144EE	TRANSISTOR
Q103		2SC4617/QR/-X	TRANSISTOR
Q104		DTC144EE	TRANSISTOR
Q105		2SA1774/RS/-X	TRANSISTOR
Q110		DTC144EE	TRANSISTOR
Q111		DTC114EE	TRANSISTOR
Q112		DTC114EE	TRANSISTOR
Q113		2SC4097/QR/-X	TRANSISTOR
Q2001		DTA114TE	TRANSISTOR
Q2007		PUMX1	PAIR TRANSISTOR
		or UMX1N	PAIR TRANSISTOR
		or HN1C01FU/G/-X	PAIR TRANSISTOR
Q2008		PUMT1	PAIR TRANSISTOR
		or HN1A01FU/G/-X	PAIR TRANSISTOR
Q2021		DTC144EE	TRANSISTOR
Q2022		DTC144EE	TRANSISTOR
Q2023		2SC4617/QR/-X	TRANSISTOR
Q2071		2SC4617/QR/-X	TRANSISTOR
Q3002		PUMX1	PAIR TRANSISTOR
		or HN1C01FU/G/-X	PAIR TRANSISTOR
		or UMX1N	PAIR TRANSISTOR
Q3003		2SC4097/QR/-X	TRANSISTOR
Q3006		DTC144EE	TRANSISTOR,D
Q3501		HN1C01FU/G/-X	PAIR TRANSISTOR
Q3502		HN1C01FU/G/-X	PAIR TRANSISTOR

#	△ REF No.	PART No.	PART NAME, DESCRIPTION
		Q3505	DTC144EE TRANSISTOR,D
		Q3901	HN1A01FU/G/-X PAIR TRANSISTOR
		Q4201	2SC4617/QR/-X TRANSISTOR
		Q4251	RPM-22PB PHOTO TRANSISTOR
		Q4501	DTC114EE TRANSISTOR
		Q4701	HN1C01FU/G/-X PAIR TRANSISTOR
		Q4702	2SC4617/QR/-X TRANSISTOR
		Q4703	PUMX1 PAIR TRANSISTOR
		or UMX1N	PAIR TRANSISTOR
		or HN1C01FU/G/-X	PAIR TRANSISTOR
		Q4704	PUMT1 PAIR TRANSISTOR
		or HN1A01FU/G/-X	PAIR TRANSISTOR
		Q4705	2SC4617/QR/-X TRANSISTOR,D
		Q4706	2SC4617/QR/-X TRANSISTOR,D
		Q4707	2SC4617/QR/-X TRANSISTOR,D
		Q4711	PUMX1 PAIR TRANSISTOR,D
		or HN1C01FU/G/-X	PAIR TRANSISTOR,D
		or UMX1N	PAIR TRANSISTOR,D
		Q4712	PUMT1 PAIR TRANSISTOR,D
		or HN1A01FU/G/-X	PAIR TRANSISTOR,D
		Q4713	PUMX1 PAIR TRANSISTOR,D
		or UMX1N	PAIR TRANSISTOR,D
		or HN1C01FU/G/-X	PAIR TRANSISTOR,D
		Q4714	PUMT1 PAIR TRANSISTOR,D
		or HN1A01FU/G/-X	PAIR TRANSISTOR,D
		Q4715	HN1C01FU/G/-X PAIR TRANSISTOR,D
		Q6101	SSM6J07FU MOS FET
		Q6106	HN1C01FU/G/-X PAIR TRANSISTOR
		Q6107	SSM3J05FU MOS FET
		Q6201	SSM6J07FU MOS FET
		Q6301	CPH3304 MOS FET
		Q6306	SSM3K02F MOS FET,C
		Q6401	SSM6J07FU MOS FET
		Q6501	SSM6J07FU MOS FET
		Q6601	CPH3305 MOS FET
		or CPH3306	MOS FET
		Q6608	DTC144EE TRANSISTOR
		Q6621	HN1C01FU/G/-X PAIR TRANSISTOR
		Q6622	2SA1577/QR/-X TRANSISTOR
		Q6701	FX802 TRANSISTOR
		Q6702	2SC4097/QR/-X TRANSISTOR
		Q6801	2SA1577/QR/-X TRANSISTOR
		Q6811	2SB1121/TU/-X TRANSISTOR
		or 2SB1121/ST/-X	TRANSISTOR
		Q7001	PUMX1 PAIR TRANSISTOR,C,D
		Q7003	PUMX1 PAIR TRANSISTOR,C,D
		Q7005	PUMX1 PAIR TRANSISTOR,C,D
		Q7023	2SA1774/QR/-X TRANSISTOR,A,B
△		D101	SB007W03Q SB DIODE
		D102	UDZS7.5B ZENER DIODE
		D105	1SS355 DIODE
		D106	1SS355 DIODE
		D107	SB007W03Q SB DIODE
		D3001	DAN222 DIODE,D
		D5202	1SS355 DIODE
		D6001	CRS03 SB DIODE
		D6101	CRS03 SB DIODE
		D6106	1SS357 SB DIODE
		D6201	CRS03 SB DIODE
		D6301	CRS03 SB DIODE
		D6401	CRS03 SB DIODE
		D6501	CRS03 SB DIODE
		D6601	1SS383 SB DIODE



#	△ REF No.	PART No.	PART NAME, DESCRIPTION	#	△ REF No.	PART No.	PART NAME, DESCRIPTION
	D6616	UDZS8.2B	ZENER DIODE	R172	NRSA63J-151X	MG RESISTOR	150Ω,1/16W
	D7001	MA365	VARI CAP DIODE,C,D	R173	NRSA63J-0R0X	MG RESISTOR	0Ω,1/16W
	R101	NRSA63J-104X	MG RESISTOR	R174	NRSA63J-0R0X	MG RESISTOR	0Ω,1/16W
△	R104	NRSA63J-102X	MG RESISTOR	R175	NRSA63J-105X	MG RESISTOR	1MΩ,1/16W
	R105	NRSA63J-103X	MG RESISTOR	R176	NRSA63J-221X	MG RESISTOR	220Ω,1/16W
	R106	NRSA63J-561X	MG RESISTOR	R180	NRSA63J-331X	MG RESISTOR	330Ω,1/16W
	R107	NRVA63D-153X	CMF RESISTOR	R182	NRSA63J-222X	MG RESISTOR	2.2kΩ,1/16W
	R108	NRVA63D-243X	CMF RESISTOR	R183	NRSA63J-222X	MG RESISTOR	2.2kΩ,1/16W
	R109	NRVA63D-183X	CMF RESISTOR	R184	NRSA63J-222X	MG RESISTOR	2.2kΩ,1/16W
	R110	NRSA63J-103X	MG RESISTOR	R188	NRSA63J-222X	MG RESISTOR	2.2kΩ,1/16W
	R111	NRSA63J-273X	MG RESISTOR	R190	NRSA63J-331X	MG RESISTOR	330Ω,1/16W
	R112	NRSA63J-331X	MG RESISTOR	R191	NRSA63J-0R0X	MG RESISTOR	0Ω,1/16W
	R113	NRSA63J-562X	MG RESISTOR	R192	NRSA63J-105X	MG RESISTOR	1MΩ,1/16W
	R114	NRSA63J-821X	MG RESISTOR	R195	NRSA63J-0R0X	MG RESISTOR	0Ω,1/16W
	R115	NRSA63J-101X	MG RESISTOR	R1601	NRV142F-R33X	CMF RESISTOR	0.33Ω,1/4W
	R116	NRSA63J-102X	MG RESISTOR	R1602	NRV142F-R33X	CMF RESISTOR	0.33Ω,1/4W
	R118	NRSA63J-103X	MG RESISTOR	R1603	NRSA63J-154X	MG RESISTOR	150kΩ,1/16W
	R119	NRSA63J-103X	MG RESISTOR	R1604	NRSA63J-102X	MG RESISTOR	1kΩ,1/16W
	R120	NRSA63J-273X	MG RESISTOR	R1605	NRSA63J-102X	MG RESISTOR	1kΩ,1/16W
	R121	NRSA63J-273X	MG RESISTOR	R1606	NRSA63J-102X	MG RESISTOR	1kΩ,1/16W
	R122	NRSA63J-393X	MG RESISTOR	R1607	NRSA63J-104X	MG RESISTOR	100kΩ,1/16W
	R123	NRSA63J-104X	MG RESISTOR	R1608	NRSA63J-104X	MG RESISTOR	100kΩ,1/16W
	R124	NRSA63J-104X	MG RESISTOR	R1609	NRSA63J-333X	MG RESISTOR	33kΩ,1/16W
	R125	NRSA63J-273X	MG RESISTOR	R1610	NRSA63J-103X	MG RESISTOR	10kΩ,1/16W
	R126	NRSA63J-153X	MG RESISTOR	R1612	NRSA63J-392X	MG RESISTOR	3.9kΩ,1/16W
	R127	NRSA63J-221X	MG RESISTOR	R1613	NRSA63J-104X	MG RESISTOR	100kΩ,1/16W
	R128	NRSA63J-102X	MG RESISTOR	R1614	NRSA63J-333X	MG RESISTOR	33kΩ,1/16W
	R129	NRSA63J-102X	MG RESISTOR	R1615	NRSA63J-103X	MG RESISTOR	10kΩ,1/16W
	R130	NRSA63J-105X	MG RESISTOR	R1617	NRSA63J-183X	MG RESISTOR	18kΩ,1/16W
	R131	NRSA63J-105X	MG RESISTOR	R1618	NRSA63J-154X	MG RESISTOR	150kΩ,1/16W
	R132	NRSA63J-105X	MG RESISTOR	R1619	NRSA63J-471X	MG RESISTOR	470Ω,1/16W
	R133	NRSA63J-105X	MG RESISTOR	R1620	NRSA63J-684X	MG RESISTOR	680kΩ,1/16W
	R134	NRSA63J-105X	MG RESISTOR	R1621	NRSA63J-102X	MG RESISTOR	1kΩ,1/16W
	R135	NRSA63J-104X	MG RESISTOR	R1622	NRSA63J-224X	MG RESISTOR	220kΩ,1/16W
	R136	NRSA63J-474X	MG RESISTOR	R1623	NRSA63J-223X	MG RESISTOR	22kΩ,1/16W
	R138	NRSA63J-333X	MG RESISTOR	R1624	NRSA63J-104X	MG RESISTOR	100kΩ,1/16W
	R139	NRSA63J-104X	MG RESISTOR	R1625	NRSA63J-104X	MG RESISTOR	100kΩ,1/16W
	R140	NRSA63J-753X	MG RESISTOR	R1626	NRSA63J-104X	MG RESISTOR	100kΩ,1/16W
	R141	NRSA63J-334X	MG RESISTOR	R1628	NRSA63J-0R0X	MG RESISTOR	0Ω,1/16W
	R142	NRSA63J-103X	MG RESISTOR	R1629	NRSA63J-0R0X	MG RESISTOR	0Ω,1/16W
	R143	NRSA63J-105X	MG RESISTOR	R1630	NRSA63J-0R0X	MG RESISTOR	0Ω,1/16W
	R144	NRSA63J-221X	MG RESISTOR	R1631	NRSA63J-122X	MG RESISTOR	1.2kΩ,1/16W
	R145	NRSA63J-222X	MG RESISTOR	R1632	NRSA63J-153X	MG RESISTOR	15kΩ,1/16W
	R146	NRSA63J-474X	MG RESISTOR	R1633	NRSA63J-683X	MG RESISTOR	68kΩ,1/16W
	R147	NRSA63J-472X	MG RESISTOR	R2001	NRSA63J-104X	MG RESISTOR	100kΩ,1/16W
	R148	NRSA63J-0R0X	MG RESISTOR	R2002	NRSA63J-332X	MG RESISTOR	3.3kΩ,1/16W
	R149	NRSA63J-104X	MG RESISTOR	R2003	NRSA63J-102X	MG RESISTOR	1kΩ,1/16W
	R150	NRSA63J-222X	MG RESISTOR	R2004	NRSA63J-681X	MG RESISTOR	680Ω,1/16W
	R151	NRSA63J-222X	MG RESISTOR	R2005	NRSA63J-272X	MG RESISTOR	2.7kΩ,1/16W
	R152	NRSA63J-474X	MG RESISTOR	R2006	NRSA63J-102X	MG RESISTOR	1kΩ,1/16W
	R153	NRSA63J-474X	MG RESISTOR	R2011	NRSA63J-101X	MG RESISTOR	100Ω,1/16W
	R158	NRSA63J-474X	MG RESISTOR	R2012	NRSA63J-101X	MG RESISTOR	100Ω,1/16W
	R159	NRSA63J-474X	MG RESISTOR	R2021	NRSA63J-103X	MG RESISTOR	10kΩ,1/16W
	R160	NRSA63J-474X	MG RESISTOR	R2022	NRSA63J-334X	MG RESISTOR	330kΩ,1/16W
	R161	NRSA63J-104X	MG RESISTOR	R2023	NRSA63J-151X	MG RESISTOR	150Ω,1/16W
	R162	NRSA63J-472X	MG RESISTOR	R2024	NRVA63D-133X	CMF RESISTOR	13kΩ,1/16W
	R163	NRSA63J-221X	MG RESISTOR	R2025	NRSA63J-823X	MG RESISTOR	82kΩ,1/16W
	R164	NRSA63J-472X	MG RESISTOR	R2026	NRSA63J-0R0X	MG RESISTOR	0Ω,1/16W
	R166	NRSA63J-103X	MG RESISTOR	R2027	NRSA63J-102X	MG RESISTOR	1kΩ,1/16W
	R167	NRSA63J-183X	MG RESISTOR	R2028	NRSA63J-102X	MG RESISTOR	1kΩ,1/16W
	R168	NRSA63J-562X	MG RESISTOR	R2029	NRSA63J-0R0X	MG RESISTOR	0Ω,1/16W
	R170	NRSA63J-333X	MG RESISTOR	R2030	NRSA63J-104X	MG RESISTOR	100kΩ,1/16W
	R171	NRSA63J-104X	MG RESISTOR	R2031	NRSA63J-332X	MG RESISTOR	3.3kΩ,1/16W

#	△ REF No.	PART No.	PART NAME, DESCRIPTION	#	△ REF No.	PART No.	PART NAME, DESCRIPTION
R2032		NRSA63J-270X	MG RESISTOR 27Ω,1/16W	R4218		NRSA63J-102X	MG RESISTOR 1kΩ,1/16W
R2051		NRSA63J-102X	MG RESISTOR 1kΩ,1/16W	R4219		NRSA63J-104X	MG RESISTOR 100kΩ,1/16W
R2071		NRSA63J-473X	MG RESISTOR 47kΩ,1/16W	R4220		NRSA63J-152X	MG RESISTOR 1.5kΩ,1/16W
R2072		NRSA63J-562X	MG RESISTOR 5.6kΩ,1/16W	R4221		NRSA63J-334X	MG RESISTOR 330kΩ,1/16W
R3001		NRSA63J-105X	MG RESISTOR 1MΩ,1/16W	R4222		NRSA63J-154X	MG RESISTOR 150kΩ,1/16W
R3002		NRVA63D-471X	CMF RESISTOR 470Ω,1/16W	R4223		NRSA63J-333X	MG RESISTOR 33kΩ,1/16W
R3004		NRVA63D-273X	CMF RESISTOR 27kΩ,1/16W	R4224		NRSA63J-223X	MG RESISTOR 22kΩ,1/16W
R3006		NRVA63D-561X	CMF RESISTOR 560Ω,1/16W	R4251		NRSA63J-182X	MG RESISTOR 1.8kΩ,1/16W
R3007		NRVA63D-153X	CMF RESISTOR 15kΩ,1/16W	R4252		NRSA63J-103X	MG RESISTOR 10kΩ,1/16W
R3008		NRSA63J-393X	MG RESISTOR 39kΩ,1/16W	R4253		NRSA63J-103X	MG RESISTOR 10kΩ,1/16W
R3009		NRSA63J-272X	MG RESISTOR 2.7kΩ,1/16W	R4254		NRSA63J-684X	MG RESISTOR 680kΩ,1/16W
R3010		NRSA63J-332X	MG RESISTOR 3.3kΩ,1/16W	R4255		NRSA63J-222X	MG RESISTOR 2.2kΩ,1/16W
R3014		NRSA63J-681X	MG RESISTOR 680Ω,1/16W	R4256		NRSA63J-824X	MG RESISTOR 820kΩ,1/16W
R3015		NRSA63J-332X	MG RESISTOR 3.3kΩ,1/16W	R4257		NRSA63J-822X	MG RESISTOR 8.2kΩ,1/16W
R3016		NRSA63J-332X	MG RESISTOR 3.3kΩ,1/16W	R4258		NRSA63J-104X	MG RESISTOR 100kΩ,1/16W
R3018		NRSA63J-271X	MG RESISTOR 270Ω,1/16W	R4259		NRSA63J-683X	MG RESISTOR 68kΩ,1/16W
R3023		NRSA63J-331X	MG RESISTOR 330Ω,1/16W	R4262		NRSA63J-302X	MG RESISTOR 3kΩ,1/16W
R3027		NRSA63J-103X	MG RESISTOR,D 10kΩ,1/16W	△ R4501		NRSA63J-6R8X	MG RESISTOR 6.8Ω,1/16W
R3028		NRVA63D-472X	CMF RESISTOR 4.7kΩ,1/16W	△ R4502		NRSA63J-6R8X	MG RESISTOR 6.8Ω,1/16W
R3029		NRSA63J-0R0X	MG RESISTOR 0Ω,1/16W	△ R4503		NRSA63J-6R8X	MG RESISTOR 6.8Ω,1/16W
R3030		NRSA63J-561X	MG RESISTOR 560Ω,1/16W	△ R4504		NRSA63J-6R8X	MG RESISTOR 6.8Ω,1/16W
R3034		NRSA63J-220X	MG RESISTOR 22Ω,1/16W	R4505		NRSA63J-271X	MG RESISTOR 270Ω,1/16W
R3038		NRSA63J-392X	MG RESISTOR 3.9kΩ,1/16W	R4507		NRSA63J-103X	MG RESISTOR 10kΩ,1/16W
R3501		NRSA63J-0R0X	MG RESISTOR 0Ω,1/16W	R4508		NRSA63J-103X	MG RESISTOR 10kΩ,1/16W
R3502		NRSA63J-102X	MG RESISTOR 1kΩ,1/16W	R4514		NRSA63J-223X	MG RESISTOR 22kΩ,1/16W
R3504		NRSA63J-102X	MG RESISTOR 1kΩ,1/16W	R4515		NRSA63J-182X	MG RESISTOR 1.8kΩ,1/16W
R3505		NRSA63J-102X	MG RESISTOR 1kΩ,1/16W	R4701		NRSA63J-0R0X	MG RESISTOR,A,B,C 0Ω,1/16W
R3506		NRSA63J-102X	MG RESISTOR 1kΩ,1/16W	R4702		NRSA63J-101X	MG RESISTOR,D 100Ω,1/16W
R3507		NRSA63J-0R0X	MG RESISTOR 0Ω,1/16W			NRSA63J-750X	MG RESISTOR,A,B,C 75Ω,1/16W
R3508		NRSA63J-153X	MG RESISTOR 15kΩ,1/16W	R4703		NRVA63D-561X	CMF RESISTOR 560Ω,1/16W
R3901		NRSA63J-100X	MG RESISTOR 10Ω,1/16W	R4704		NRVA63D-272X	CMF RESISTOR 2.7kΩ,1/16W
R3902		NRSA63J-101X	MG RESISTOR 100Ω,1/16W	R4705		NRVA63D-472X	CMF RESISTOR 4.7kΩ,1/16W
R3903		NRSA63J-182X	MG RESISTOR 1.8kΩ,1/16W	R4706		NRSA63J-681X	MG RESISTOR 680Ω,1/16W
R4001		NRSA63J-113X	MG RESISTOR 11kΩ,1/16W	R4707		NRSA63J-122X	MG RESISTOR 1.2kΩ,1/16W
R4002		NRSA63J-123X	MG RESISTOR 12kΩ,1/16W	R4708		NRSA63J-104X	MG RESISTOR 100kΩ,1/16W
R4003		NRSA63J-153X	MG RESISTOR 15kΩ,1/16W	R4709		NRSA63J-332X	MG RESISTOR 3.3kΩ,1/16W
R4004		NRSA63J-103X	MG RESISTOR 10kΩ,1/16W	R4710		NRSA63J-332X	MG RESISTOR 3.3kΩ,1/16W
R4006		NRVA63D-103X	CMF RESISTOR 10kΩ,1/16W	R4711		NRSA63J-151X	MG RESISTOR,D 150Ω,1/16W
R4007		NRVA63D-432X	CMF RESISTOR 4.3kΩ,1/16W	R4712		NRVA63D-511X	CMF RESISTOR,D 510Ω,1/16W
R4008		NRVA63D-272X	CMF RESISTOR 2.7kΩ,1/16W	R4713		NRSA63J-681X	MG RESISTOR,D 680Ω,1/16W
R4009		NRVA63D-152X	CMF RESISTOR 1.5kΩ,1/16W	R4714		NRSA63J-122X	MG RESISTOR,D 1.2kΩ,1/16W
R4010		NRVA63D-122X	CMF RESISTOR 1.2kΩ,1/16W	R4715		NRSA63J-0R0X	MG RESISTOR,D 0Ω,1/16W
R4011		NRVA63D-152X	CMF RESISTOR 1.5kΩ,1/16W	R4716		NRVA63D-561X	CMF RESISTOR,D 560Ω,1/16W
R4012		NRVA63D-122X	CMF RESISTOR 1.2kΩ,1/16W	R4717		NRVA63D-222X	CMF RESISTOR,D 2.2kΩ,1/16W
R4013		NRVA63D-152X	CMF RESISTOR 1.5kΩ,1/16W	R4718		NRSA63J-104X	MG RESISTOR,D 100kΩ,1/16W
R4014		NRVA63D-122X	CMF RESISTOR 1.2kΩ,1/16W	R4719		NRSA63J-222X	MG RESISTOR,D 2.2kΩ,1/16W
R4035		NRSA63J-0R0X	MG RESISTOR 0Ω,1/16W	R4720		NRSA63J-0R0X	MG RESISTOR,A,B,C 0Ω,1/16W
R4037		NRSA63J-102X	MG RESISTOR 1kΩ,1/16W	R4721		NRVA63D-750X	CMF RESISTOR,D 75Ω,1/16W
R4201		NRSA63J-103X	MG RESISTOR 10kΩ,1/16W	R4722		NRVA63D-680X	CMF RESISTOR,D 68Ω,1/16W
R4202		NRSA63J-563X	MG RESISTOR 56kΩ,1/16W			NRVA63D-750X	CMF RESISTOR,A,B,C 75Ω,1/16W
R4203		NRSA63J-103X	MG RESISTOR 10kΩ,1/16W	R4723		NRVA63D-680X	CMF RESISTOR,D 68Ω,1/16W
R4204		NRSA63J-331X	MG RESISTOR 330Ω,1/16W	R4735		NRSA63J-332X	MG RESISTOR,D 3.3kΩ,1/16W
R4205		NRSA63J-105X	MG RESISTOR 1MΩ,1/16W	R4736		NRSA63J-332X	MG RESISTOR,D 3.3kΩ,1/16W
R4206		NRSA63J-103X	MG RESISTOR 10kΩ,1/16W	R4737		NRSA63J-104X	MG RESISTOR,D 100kΩ,1/16W
R4207		NRSA63J-104X	MG RESISTOR 100kΩ,1/16W	R4738		NRSA63J-332X	MG RESISTOR,D 3.3kΩ,1/16W
R4208		NRSA63J-472X	MG RESISTOR 4.7kΩ,1/16W	R4739		NRSA63J-332X	MG RESISTOR,D 3.3kΩ,1/16W
R4209		NRSA63J-104X	MG RESISTOR 100kΩ,1/16W	R4741		NRVA63D-152X	CMF RESISTOR,D 1.5kΩ,1/16W
R4210		NRSA63J-105X	MG RESISTOR 1MΩ,1/16W	R4743		NRVA63D-223X	CMF RESISTOR,D 22kΩ,1/16W
R4211		NRSA63J-243X	MG RESISTOR 24kΩ,1/16W	R4744		NRVA63D-222X	CMF RESISTOR,D 2.2kΩ,1/16W
R4214		NRSA63J-472X	MG RESISTOR 4.7kΩ,1/16W	R4745		NRSA63J-471X	MG RESISTOR,D 470Ω,1/16W
R4215		NRSA63J-683X	MG RESISTOR 68kΩ,1/16W	R4746		NRVA63D-222X	CMF RESISTOR,D 2.2kΩ,1/16W
R4216		NRSA63J-103X	MG RESISTOR 10kΩ,1/16W	R4747		NRVA63D-471X	CMF RESISTOR,D 470Ω,1/16W
R4217		NRSA63J-102X	MG RESISTOR 1kΩ,1/16W	R4748		NRVA63D-183X	CMF RESISTOR 18kΩ,1/16W

#	△ REF No.	PART No.	PART NAME, DESCRIPTION	#	△ REF No.	PART No.	PART NAME, DESCRIPTION	
R5201		NRSA63J-243X	MG RESISTOR	24kΩ, 1/16W	R6704	NRVA63D-472X	CMF RESISTOR	4.7kΩ, 1/16W
R5202		NRSA63J-220X	MG RESISTOR	22Ω, 1/16W	R6706	NRZ0058-R20X	MG RESISTOR	0.2Ω, 1/2W
R5204		NRSA63J-0R0X	MG RESISTOR	0Ω, 1/16W	R6707	NRS016J-121X	MG RESISTOR	120Ω, 1W
R5212		NRSA63J-101X	MG RESISTOR	100Ω, 1/16W	R6708	NRS016J-121X	MG RESISTOR	120Ω, 1W
R5213		NRSA63J-101X	MG RESISTOR	100Ω, 1/16W	R6709	NRS016J-121X	MG RESISTOR	120Ω, 1W
R5214		NRSA63J-101X	MG RESISTOR	100Ω, 1/16W	R6710	NRVA63D-823X	CMF RESISTOR	82kΩ, 1/16W
R5215		NRSA63J-104X	MG RESISTOR	100kΩ, 1/16W	R6711	NRVA63D-333X	CMF RESISTOR	33kΩ, 1/16W
R5216		NRSA63J-100X	MG RESISTOR	10Ω, 1/16W	R6712	NRSA63J-222X	MG RESISTOR	2.2kΩ, 1/16W
R5218		NRSA63J-0R0X	MG RESISTOR	0Ω, 1/16W	R6713	NRSA63J-562X	MG RESISTOR	5.6kΩ, 1/16W
R5220		NRSA63J-0R0X	MG RESISTOR	0Ω, 1/16W	R6801	NRSA63J-102X	MG RESISTOR	1kΩ, 1/16W
R6001		NRSA63J-104X	MG RESISTOR	100kΩ, 1/16W	R6803	NRVA63D-223X	CMF RESISTOR	22kΩ, 1/16W
R6002		NRSA63J-333X	MG RESISTOR	33kΩ, 1/16W	R6804	NRVA63D-103X	CMF RESISTOR	10kΩ, 1/16W
R6003		NRVA63D-912X	CMF RESISTOR	9.1kΩ, 1/16W	R6810	NRSA63J-0R0X	MG RESISTOR	0Ω, 1/16W
R6004		NRVA63D-471X	CMF RESISTOR	470Ω, 1/16W	R6811	NRSA63J-102X	MG RESISTOR	1kΩ, 1/16W
R6005		NRVA63D-183X	CMF RESISTOR	18kΩ, 1/16W	R6813	NRVA63D-104X	CMF RESISTOR	100kΩ, 1/16W
R6006		NRSA63J-472X	MG RESISTOR	4.7kΩ, 1/16W	R6814	NRVA63D-683X	CMF RESISTOR	68kΩ, 1/16W
R6008		NRVA63D-183X	CMF RESISTOR	18kΩ, 1/16W	R6820	NRSA63J-102X	MG RESISTOR	1kΩ, 1/16W
R6009		NRSA63J-224X	MG RESISTOR	220kΩ, 1/16W	R6961	NRSA63J-223X	MG RESISTOR	22kΩ, 1/16W
R6010		NRSA63J-473X	MG RESISTOR	47kΩ, 1/16W	R7002	NRSA63J-102X	MG RESISTOR, C,D	1kΩ, 1/16W
R6011		NRSA63J-473X	MG RESISTOR	47kΩ, 1/16W	R7003	NRSA63J-103X	MG RESISTOR, C,D	10kΩ, 1/16W
R6012		NRSA63J-103X	MG RESISTOR	10kΩ, 1/16W	R7004	NRSA63J-333X	MG RESISTOR, C,D	33kΩ, 1/16W
R6015		NRSA63J-104X	MG RESISTOR	100kΩ, 1/16W	R7005	NRSA63J-103X	MG RESISTOR, C,D	10kΩ, 1/16W
R6016		NRSA63J-104X	MG RESISTOR	100kΩ, 1/16W	R7007	NRVA63D-473X	CMF RESISTOR, C,D	47kΩ, 1/16W
R6019		NRSA63J-222X	MG RESISTOR	2.2kΩ, 1/16W	R7008	NRVA63D-913X	CMF RESISTOR, C,D	91kΩ, 1/16W
R6020		NRSA63J-224X	MG RESISTOR	220kΩ, 1/16W	R7009	NRSA63J-0R0X	MG RESISTOR	0Ω, 1/16W
R6103		NRVA63D-223X	CMF RESISTOR	22kΩ, 1/16W	R7014	NRSA63J-0R0X	MG RESISTOR, C,D	0Ω, 1/16W
R6104		NRVA63D-103X	CMF RESISTOR	10kΩ, 1/16W	R7061	NRVA63D-183X	CMF RESISTOR, C,D	18kΩ, 1/16W
R6106		NRSA63J-333X	MG RESISTOR	33kΩ, 1/16W	R7062	NRVA63D-334X	CMF RESISTOR, C,D	330kΩ, 1/16W
R6107		NRSA63J-222X	MG RESISTOR	2.2kΩ, 1/16W	R7077	NRVA63D-682X	CMF RESISTOR, C,D	6.8kΩ, 1/16W
R6108		NRVA63D-153X	CMF RESISTOR	15kΩ, 1/16W	R7078	NRVA63D-822X	CMF RESISTOR, C,D	8.2kΩ, 1/16W
R6109		NRVA63D-103X	CMF RESISTOR	10kΩ, 1/16W	R7079	NRSA63J-0R0X	MG RESISTOR, C,D	0Ω, 1/16W
R6110		NRSA63J-0R0X	MG RESISTOR	0Ω, 1/16W	R7083	NRSA63J-105X	MG RESISTOR, C,D	1MΩ, 1/16W
R6203		NRVA63D-103X	CMF RESISTOR	10kΩ, 1/16W	R7085	NRVA63D-822X	CMF RESISTOR, C,D	8.2kΩ, 1/16W
R6204		NRVA63D-103X	CMF RESISTOR	10kΩ, 1/16W	R7086	NRVA63D-123X	CMF RESISTOR, C,D	12kΩ, 1/16W
R6303		NRVA63D-183X	CMF RESISTOR	18kΩ, 1/16W	R7088	NRVA63D-223X	CMF RESISTOR, C,D	22kΩ, 1/16W
R6304		NRVA63D-472X	CMF RESISTOR	4.7kΩ, 1/16W	R7090	NRVA63D-822X	CMF RESISTOR, C,D	8.2kΩ, 1/16W
R6306		NRS12BK-R47W	MG RESISTOR, C	0.47Ω, 1/2W	R7091	NRVA63D-123X	CMF RESISTOR, C,D	12kΩ, 1/16W
R6307		NRSA63J-104X	MG RESISTOR, C	100kΩ, 1/16W	R7093	NRVA63D-223X	CMF RESISTOR, C,D	22kΩ, 1/16W
R6312		NRSA63J-0R0X	MG RESISTOR	0Ω, 1/16W	R7095	NRVA63D-822X	CMF RESISTOR, C,D	8.2kΩ, 1/16W
R6403		NRSA63J-473X	MG RESISTOR	47kΩ, 1/16W	R7096	NRVA63D-123X	CMF RESISTOR, C,D	12kΩ, 1/16W
R6404		NRSA63J-302X	MG RESISTOR	3kΩ, 1/16W	R7098	NRVA63D-223X	CMF RESISTOR, C,D	22kΩ, 1/16W
R6406		NRSA63J-183X	MG RESISTOR	18kΩ, 1/16W	R7099	NRVA63D-103X	CMF RESISTOR, C,D	10kΩ, 1/16W
R6407		NRSA63J-823X	MG RESISTOR	82kΩ, 1/16W	R7100	NRVA63D-103X	CMF RESISTOR, C,D	10kΩ, 1/16W
R6503		NRSA63J-243X	MG RESISTOR	24kΩ, 1/16W	R7101	NRVA63D-103X	CMF RESISTOR, C,D	10kΩ, 1/16W
R6504		NRSA63J-332X	MG RESISTOR	3.3kΩ, 1/16W	R7102	NRVA63D-103X	CMF RESISTOR, C,D	10kΩ, 1/16W
R6506		NRSA63J-223X	MG RESISTOR	22kΩ, 1/16W	R7103	NRVA63D-103X	CMF RESISTOR, C,D	10kΩ, 1/16W
R6507		NRSA63J-823X	MG RESISTOR	82kΩ, 1/16W	R7124	NRVA63D-103X	CMF RESISTOR, C,D	10kΩ, 1/16W
R6603		NRVA63D-683X	CMF RESISTOR	68kΩ, 1/16W	R7137	NRVA63D-911X	CMF RESISTOR, A,B	910Ω, 1/16W
R6604		NRVA63D-392X	CMF RESISTOR	3.9kΩ, 1/16W	R7138	NRVA63D-271X	CMF RESISTOR, A,B	270Ω, 1/16W
R6605		NRSA63J-274X	MG RESISTOR	270kΩ, 1/16W	R7212	NRSA63J-0R0X	MG RESISTOR, C,D	0Ω, 1/16W
R6606		NRSA63J-272X	MG RESISTOR	2.7kΩ, 1/16W	RA101	NRZ0038-222X	NETWORK RESISTOR	2.2kΩ
R6612		NRSA63J-823X	MG RESISTOR	82kΩ, 1/16W	RA102	NRZ0038-222X	NETWORK RESISTOR	2.2kΩ
R6613		NRSA63J-104X	MG RESISTOR	100kΩ, 1/16W	RA103	NRZ0038-222X	NETWORK RESISTOR	2.2kΩ
R6614		NRSA63J-472X	MG RESISTOR	4.7kΩ, 1/16W	RA104	NRZ0038-222X	NETWORK RESISTOR	2.2kΩ
R6616		NRSA63J-102X	MG RESISTOR	1kΩ, 1/16W	RA105	NRZ0038-473X	NETWORK RESISTOR	47kΩ
R6622		NRVA63D-104X	CMF RESISTOR	100kΩ, 1/16W	RA106	NRZ0037-331X	NETWORK RESISTOR	330Ω
R6623		NRVA63D-473X	CMF RESISTOR	47kΩ, 1/16W	RA107	NRZ0034-102W	NETWORK RESISTOR	1kΩ
R6624		NRSA63J-273X	MG RESISTOR	27kΩ, 1/16W	RA108	NRZ0034-102W	NETWORK RESISTOR	1kΩ
R6625		NRSA63J-822X	MG RESISTOR	8.2kΩ, 1/16W	RA109	NRZ0038-474X	NETWORK RESISTOR	470kΩ
R6626		NRVA63D-563X	CMF RESISTOR	56kΩ, 1/16W	C102	NCF31EZ-104X	CAPACITOR	0.1μF, 25V
R6627		NRVA63D-363X	CMF RESISTOR	36kΩ, 1/16W	C103	NBE41AM-106X	T CAPACITOR	10μF, 10V
R6701		NRSA63J-680X	MG RESISTOR	68Ω, 1/16W	C104	NCB31EK-103X	CAPACITOR	0.01μF, 25V
R6702		NRSA63J-221X	MG RESISTOR	220Ω, 1/16W	C105	NCB31CK-104X	CAPACITOR	0.1μF, 16V

#	△ REF No.	PART No.	PART NAME, DESCRIPTION	#	△ REF No.	PART No.	PART NAME, DESCRIPTION
C106		NCF31EZ-104X	CAPACITOR 0.1μF,25V	C2028		NCB30JK-105X	CAPACITOR 1μF,6.3V
C107		NCB31EK-103X	CAPACITOR 0.01μF,25V	C2029		NCB30JK-105X	CAPACITOR 1μF,6.3V
C108		NBE21AM-225X	T CAPACITOR 2.2μF,10V	C2031		NCB31CK-104X	CAPACITOR 0.1μF,16V
C109		NBE41AM-106X	T CAPACITOR 10μF,10V	C2032		NCB31HK-472X	CAPACITOR 0.0047μF,50V
C110		NDC31HJ-101X	CAPACITOR 100pF,50V	C2033		NBE20JM-475X	T CAPACITOR 4.7μF,6.3V
C111		NEA70JM-226X	E CAPACITOR 22μF,6.3V	C2034		NCB31CK-104X	CAPACITOR 0.1μF,16V
C112		NEA70JM-226X	E CAPACITOR 22μF,6.3V	C2035		NBE20JM-226X	T CAPACITOR 22μF,6.3V
C113		NCB31EK-103X	CAPACITOR 0.01μF,25V	C2036		NBE20JM-106X	T CAPACITOR 10μF,6.3V
C114		NCB31EK-103X	CAPACITOR 0.01μF,25V	C2037		NBE20JM-226X	T CAPACITOR 22μF,6.3V
C115		NCF31EZ-104X	CAPACITOR 0.1μF,25V	C2038		NCB30JK-474X	CAPACITOR 0.47μF,6.3V
C116		NCB31EK-103X	CAPACITOR 0.01μF,25V	C2051		NCB31EK-103X	CAPACITOR 0.01μF,25V
C118		NCF31EZ-104X	CAPACITOR 0.1μF,25V	C2071		NBE20JM-106X	T CAPACITOR 10μF,6.3V
C119		NCB31EK-103X	CAPACITOR 0.01μF,25V	C2072		NCB31HK-222X	CAPACITOR 0.0022μF,50V
C120		NCB31EK-103X	CAPACITOR 0.01μF,25V	C3002		NCB21CK-105X	CAPACITOR 1μF,16V
C121		NCF31EZ-104X	CAPACITOR 0.1μF,25V	C3003		NCB21CK-105X	CAPACITOR 1μF,16V
C122		NCF31EZ-104X	CAPACITOR 0.1μF,25V	C3004		NCF31EZ-104X	CAPACITOR 0.1μF,25V
C123		NDC31HJ-100X	CAPACITOR 10pF,50V	C3005		NCF31EZ-104X	CAPACITOR 0.1μF,25V
C124		NDC31HJ-100X	CAPACITOR 10pF,50V	C3006		NDC31HG-100X	CAPACITOR 10pF,50V
C125		NCB31EK-103X	CAPACITOR 0.01μF,25V	C3007		NDC31HG-100X	CAPACITOR 10pF,50V
C126		NDC31HJ-120X	CAPACITOR 12pF,50V	C3009		NCF31EZ-104X	CAPACITOR 0.1μF,25V
C127		NCB31CK-333X	CAPACITOR 0.033μF,16V	C3011		NCF31EZ-104X	CAPACITOR 0.1μF,25V
C128		NCB21CK-474X	CAPACITOR 0.47μF,16V	C3012		NCF31EZ-104X	CAPACITOR 0.1μF,25V
C129		NCB31CK-333X	CAPACITOR 0.033μF,16V	C3013		NCF31EZ-104X	CAPACITOR 0.1μF,25V
C131		NCF31EZ-104X	CAPACITOR 0.1μF,25V	C3014		NCF31EZ-104X	CAPACITOR 0.1μF,25V
C132		NCF31EZ-104X	CAPACITOR 0.1μF,25V	C3015		NCF31EZ-104X	CAPACITOR 0.1μF,25V
C133		NCF31EZ-104X	CAPACITOR 0.1μF,25V	C3017		NCF31EZ-104X	CAPACITOR 0.1μF,25V
C134		NCF31EZ-104X	CAPACITOR 0.1μF,25V	C3019		NCB31EK-103X	CAPACITOR 0.01μF,25V
C1201		NCB31HK-102X	CAPACITOR 0.001μF,50V	C3020		NCB31EK-103X	CAPACITOR 0.01μF,25V
C1202		NBE20JM-106X	T CAPACITOR 10μF,6.3V	C3027		NCB31EK-103X	CAPACITOR 0.01μF,25V
C1205		NCB31EK-153X	CAPACITOR 0.015μF,25V	C3028		NCB31EK-103X	CAPACITOR 0.01μF,25V
C1206		NBE20JM-106X	T CAPACITOR 10μF,6.3V	C3033		NCB31CK-104X	CAPACITOR,D 0.1μF,16V
C1601		NCB31EK-103X	CAPACITOR 0.01μF,25V	C3037		NDC31HJ-100X	CAPACITOR 10pF,50V
C1602		NCB21CK-224X	CAPACITOR 0.22μF,16V	C3506		NCB31EK-103X	CAPACITOR 0.01μF,25V
C1603		NCB31CK-223X	CAPACITOR 0.022μF,16V	C3507		NCB31EK-103X	CAPACITOR 0.01μF,25V
C1604		NCB31CK-223X	CAPACITOR 0.022μF,16V	C3508		NCB31EK-103X	CAPACITOR 0.01μF,25V
C1605		NCB31CK-223X	CAPACITOR 0.022μF,16V	C3510		NCB31CK-104X	CAPACITOR 0.1μF,16V
C1606		NCB31CK-104X	CAPACITOR 0.1μF,16V	C3512		NCB10JK-106X	CAPACITOR 10μF,6.3V
C1607		NCB31CK-104X	CAPACITOR 0.1μF,16V	C3513		NCB31CK-223X	CAPACITOR 0.022μF,16V
C1608		NCB31CK-683X	CAPACITOR 0.068μF,16V	C3514		NCB21CK-105X	CAPACITOR 1μF,16V
C1609		NCB31CK-104X	CAPACITOR 0.1μF,16V	C3515		NCB31EK-103X	CAPACITOR 0.01μF,25V
C1610		NCB31CK-104X	CAPACITOR 0.1μF,16V	C3902		NCB31EK-103X	CAPACITOR 0.01μF,25V
C1611		NCB31CK-104X	CAPACITOR 0.1μF,16V	C3903		NDC31HJ-3R0X	CAPACITOR 3pF,50V
C1612		NDC31HJ-331X	CAPACITOR 330pF,50V	C4006		NCF31EZ-104X	CAPACITOR 0.1μF,25V
C1613		NCB21CK-334X	CAPACITOR 0.33μF,16V	C4008		NCF31EZ-104X	CAPACITOR 0.1μF,25V
C1614		NBE41AM-226X	T CAPACITOR 22μF,10V	C4009		NCF31EZ-104X	CAPACITOR 0.1μF,25V
C1615		NCB31HK-681X	CAPACITOR 680pF,50V	C4010		NCF31EZ-104X	CAPACITOR 0.1μF,25V
C1616		NCB21CK-474X	CAPACITOR 0.47μF,16V	C4012		NCF31EZ-104X	CAPACITOR 0.1μF,25V
C1617		NCB31HK-152X	CAPACITOR 0.0015μF,50V	C4014		NCF31EZ-104X	CAPACITOR 0.1μF,25V
C1618		NBE21AM-106X	T CAPACITOR 10μF,10V	C4017		NCF31EZ-104X	CAPACITOR 0.1μF,25V
C1619		NCB31CK-223X	CAPACITOR 0.022μF,16V	C4019		NCF31EZ-104X	CAPACITOR 0.1μF,25V
C1621		NBP41CM-106X	T CAPACITOR 10μF,16V	C4022		NCF31EZ-104X	CAPACITOR 0.1μF,25V
C2001		NBE20JM-106X	T CAPACITOR 10μF,6.3V	C4024		NCF31EZ-104X	CAPACITOR 0.1μF,25V
C2002		NFV41HJ-183X	MPPS CAPACITOR 0.018μF,50V	C4028		NCF31EZ-104X	CAPACITOR 0.1μF,25V
C2003		NDC31HJ-331X	CAPACITOR 330pF,50V	C4029		NCF31EZ-104X	CAPACITOR 0.1μF,25V
C2004		NBE20JM-226X	T CAPACITOR 22μF,6.3V	C4030		NCF31EZ-104X	CAPACITOR 0.1μF,25V
C2005		NCB21CK-105X	CAPACITOR 1μF,16V	C4036		NCF31EZ-104X	CAPACITOR 0.1μF,25V
C2021		NCB31EK-682X	CAPACITOR 0.0068μF,25V	C4044		NCB21CK-105X	CAPACITOR 1μF,16V
C2022		NBE20JM-106X	T CAPACITOR 10μF,6.3V	C4048		NCB10JK-106X	CAPACITOR 10μF,6.3V
C2023		NBP21CM-105X	T CAPACITOR 1μF,16V	C4049		NDC31HJ-100X	CAPACITOR 10pF,50V
C2024		NCB31HK-122X	CAPACITOR 0.0012μF,50V	C4051		NDC31HJ-221X	CAPACITOR 220pF,50V
C2025		NCB30JK-105X	CAPACITOR 1μF,6.3V	C4201		NEA71HM-225X	E CAPACITOR 2.2μF,50V
C2026		NCB31HK-222X	CAPACITOR 0.0022μF,50V	C4202		NCF31EZ-104X	CAPACITOR 0.1μF,25V
C2027		NCB30JK-474X	CAPACITOR 0.47μF,6.3V	C4203		NCB31CK-104X	CAPACITOR 0.1μF,16V



#	△ REF No.	PART No.	PART NAME, DESCRIPTION	#	△ REF No.	PART No.	PART NAME, DESCRIPTION
C4205		NCB31EK-103X	CAPACITOR 0.01μF,25V	C6009		NDC31HJ-820X	CAPACITOR 82pF,50V
C4206		NCB31CK-104X	CAPACITOR 0.1μF,16V	C6010		NCB21CK-224X	CAPACITOR 0.22μF,16V
C4207		NCB31EK-103X	CAPACITOR 0.01μF,25V	C6011		NCB21CK-104X	CAPACITOR 0.1μF,16V
C4208		NCB31CK-104X	CAPACITOR 0.1μF,16V	C6012		NCB21CK-224X	CAPACITOR 0.22μF,16V
C4209		NCF21CZ-105X	CAPACITOR 1μF,16V	C6013		NCB31EK-473X	CAPACITOR 0.047μF,25V
C4210		NCF21CZ-105X	CAPACITOR 1μF,16V	C6014		NCB31EK-473X	CAPACITOR 0.047μF,25V
C4251		NEA71HM-335X	E CAPACITOR 3.3μF,50V	C6015		NCB31EK-473X	CAPACITOR 0.047μF,25V
C4252		NCB31CK-104X	CAPACITOR 0.1μF,16V	C6016		NCB31EK-473X	CAPACITOR 0.047μF,25V
C4253		NCB31EK-153X	CAPACITOR 0.015μF,25V	C6017		NCF21CZ-105X	CAPACITOR 1μF,16V
C4254		NCB31EK-153X	CAPACITOR 0.015μF,25V	C6101		NCB21CK-105X	CAPACITOR 1μF,16V
C4256		NEA71CM-106X	E CAPACITOR 10μF,16V	C6102		NCB10JK-106X	CAPACITOR 10μF,6.3V
C4503		NEA70JM-107X	E CAPACITOR 100μF,6.3V	C6105		NCB31HK-102X	CAPACITOR 0.001μF,50V
C4504		NCF31EZ-104X	CAPACITOR 0.1μF,25V	C6106		NCF21CZ-105X	CAPACITOR 1μF,16V
C4505		NDC31HJ-330X	CAPACITOR 33pF,50V	C6107		NCF21CZ-105X	CAPACITOR 1μF,16V
C4506		NCB31HK-102X	CAPACITOR 0.001μF,50V	C6108		NCF21CZ-105X	CAPACITOR 1μF,16V
C4507		NCB31HK-102X	CAPACITOR 0.001μF,50V	C6110		NCB31HK-152X	CAPACITOR 0.0015μF,50V
C4508		NCB31HK-102X	CAPACITOR 0.001μF,50V	C6201		NCB21CK-105X	CAPACITOR 1μF,16V
C4509		NCB31HK-102X	CAPACITOR 0.001μF,50V	C6202		NCB10JK-106X	CAPACITOR 10μF,6.3V
C4510		NCB31CK-104X	CAPACITOR 0.1μF,16V	C6203		NEA70JM-476X	E CAPACITOR 47μF,6.3V
C4511		NCF31EZ-104X	CAPACITOR 0.1μF,25V	C6205		NCB31HK-472X	CAPACITOR 0.0047μF,50V
C4701		NBE20JM-106X	T CAPACITOR 10μF,6.3V	C6210		NCB31EK-103X	CAPACITOR 0.01μF,25V
C4702		NCF31EZ-104X	CAPACITOR 0.1μF,25V	C6301		NCB11CK-225X	CAPACITOR 2.2μF,16V
C4703		NBE20JM-106X	T CAPACITOR 10μF,6.3V	C6302		NCB10JK-106X	CAPACITOR 10μF,6.3V
C4704		NCB21CK-105X	CAPACITOR 1μF,16V	C6303		NEA70JM-226X	E CAPACITOR 22μF,6.3V
C4705		NDC31HJ-820X	CAPACITOR 82pF,50V	C6305		NCB31HK-561X	CAPACITOR 560pF,50V
C4706		NDC31HJ-150X	CAPACITOR 15pF,50V	C6307		NEA71CM-106X	E CAPACITOR,C 10μF,16V
C4707		NCB21CK-105X	CAPACITOR 1μF,16V	C6310		NCB31HK-102X	CAPACITOR 0.001μF,50V
C4708		NDC31HJ-820X	CAPACITOR,D 82pF,50V	C6401		NCB21CK-105X	CAPACITOR 1μF,16V
C4709		NDC31HJ-150X	CAPACITOR,D 15pF,50V	C6402		NCF21CZ-105X	CAPACITOR 1μF,16V
C4710		NCB31EK-103X	CAPACITOR,D 0.01μF,25V	C6406		NCB31CK-683X	CAPACITOR 0.068μF,16V
C4711		NCB21CK-105X	CAPACITOR,D 1μF,16V	C6410		NCB21CK-474X	CAPACITOR 0.47μF,16V
C4715		NCB21CK-105X	CAPACITOR,D 1μF,16V	C6501		NCB21CK-105X	CAPACITOR 1μF,16V
C4719		NCB31EK-103X	CAPACITOR,D 0.01μF,25V	C6502		NCF21CZ-105X	CAPACITOR 1μF,16V
C5203		NCB10JK-106X	CAPACITOR 10μF,6.3V	C6506		NCB21CK-224X	CAPACITOR 0.22μF,16V
C5207		NCB31EK-103X	CAPACITOR 0.01μF,25V	C6510		NCB31CK-104X	CAPACITOR 0.1μF,16V
C5208		NCB31EK-103X	CAPACITOR 0.01μF,25V	C6601		NCB11CK-225X	CAPACITOR 2.2μF,16V
C5209		NCB31EK-103X	CAPACITOR 0.01μF,25V	C6602		NCF21CZ-105X	CAPACITOR 1μF,16V
C5210		NCF31EZ-104X	CAPACITOR 0.1μF,25V	C6603		NCB11CK-475X	CAPACITOR 4.7μF,16V
C5211		NCB21CK-105X	CAPACITOR 1μF,16V	C6605		NDC31HJ-331X	CAPACITOR 330pF,50V
C5212		NCB21CK-105X	CAPACITOR 1μF,16V	C6606		NCF21CZ-105X	CAPACITOR 1μF,16V
C5213		NCB31HK-332X	CAPACITOR 0.0033μF,50V	C6607		NCB11EK-105X	CAPACITOR 1μF,25V
C5214		NCB31EK-103X	CAPACITOR 0.01μF,25V	C6610		NCB31EK-103X	CAPACITOR 0.01μF,25V
C5218		NCF31EZ-104X	CAPACITOR 0.1μF,25V	C6616		NCB21CK-105X	CAPACITOR 1μF,16V
C5219		NBP21CM-685X	T CAPACITOR 6.8μF,16V	C6622		NCB21CK-105X	CAPACITOR 1μF,16V
C5221		NCB11EK-105X	CAPACITOR 1μF,25V	C6700		NCB31HK-272X	CAPACITOR 0.0027μF,50V
C5222		NCB31CK-104X	CAPACITOR 0.1μF,16V	C6701		NCF21CZ-105X	CAPACITOR 1μF,16V
C5223		NCF31EZ-104X	CAPACITOR 0.1μF,25V	C6702		NCB41CK-106X	CAPACITOR 10μF,16V
C5225		NCF31EZ-104X	CAPACITOR 0.1μF,25V	C6711		NCB21HK-472X	CAPACITOR 0.0047μF,50V
C5227		NCB31CK-104X	CAPACITOR 0.1μF,16V	C6802		NCF21CZ-105X	CAPACITOR 1μF,16V
C5228		NCF31EZ-104X	CAPACITOR 0.1μF,25V	C6805		NCB31HK-102X	CAPACITOR 0.001μF,50V
C5229		NRS181J-0R0X	MG RESISTOR Ω, 1/8W	C6810		NCB31EK-103X	CAPACITOR 0.01μF,25V
C5230		NCB21EK-104X	CAPACITOR 0.1μF,25V	C6812		NCF21CZ-105X	CAPACITOR 1μF,16V
C5232		NDC31HJ-100X	CAPACITOR 10pF,50V	C6820		NCB31HK-102X	CAPACITOR 0.001μF,50V
C5233		NDC31HJ-100X	CAPACITOR 10pF,50V	C7001		NCB31EK-103X	CAPACITOR 0.01μF,25V
C5234		NDC31HJ-100X	CAPACITOR 10pF,50V	C7002		NBE20JM-106X	T CAPACITOR 10μF,6.3V
C5235		NDC31HJ-100X	CAPACITOR 10pF,50V	C7003		NBE20JM-335X	T CAPACITOR 3.3μF,6.3V
C5236		NDC31HJ-100X	CAPACITOR 10pF,50V	C7004		NCB31HK-332X	CAPACITOR,C,D 0.0033μF,50V
C5237		NDC31HJ-100X	CAPACITOR 10pF,50V	C7005		NCB31EK-103X	CAPACITOR,C,D 0.01μF,25V
C6002		NEA71CM-106X	E CAPACITOR 10μF,16V	C7006		NDC31HJ-390X	CAPACITOR,C,D 39pF,50V
C6004		NCF21CZ-105X	CAPACITOR 1μF,16V	C7007		NCB31HK-102X	CAPACITOR,C,D 0.001μF,50V
C6005		NCB21CK-105X	CAPACITOR 1μF,16V	C7008		NCB31EK-103X	CAPACITOR,C,D 0.01μF,25V
C6006		NCF21CZ-105X	CAPACITOR 1μF,16V	C7012		NCB31CK-104X	CAPACITOR,C,D 0.1μF,16V
C6007		NCB21CK-105X	CAPACITOR 1μF,16V	C7013		NCB30JK-105X	CAPACITOR 1μF,6.3V

#	△ REF No.	PART No.	PART NAME, DESCRIPTION	
C7021		NBP41EM-475X	T CAPACITOR	4.7μF,25V
C7022		NCB31EK-103X	CAPACITOR,C,D	0.01μF,25V
C7024		NBP41EM-475X	T CAPACITOR	4.7μF,25V
C7041		NBE21AM-106X	T CAPACITOR	10μF,10V
C7045		NDC31HJ-100X	CAPACITOR,A,B	10pF,50V
C7046		NDC31HJ-100X	CAPACITOR,A,B	10pF,50V
C7047		NDC31HJ-100X	CAPACITOR,A,B	10pF,50V
C7048		NBE20JM-106X	T CAPACITOR	10μF,6.3V
C7053		NCB31EK-103X	CAPACITOR,C,D	0.01μF,25V
C7054		NBP41EM-475X	T CAPACITOR	4.7μF,25V
C7056		NCB21CK-104X	CAPACITOR,C,D	0.1μF,16V
C7058		NCB31CK-104X	CAPACITOR,C,D	0.1μF,16V
C7061		NCB11CK-475X	CAPACITOR,C,D	4.7μF,16V
C7062		NCB11CK-475X	CAPACITOR,C,D	4.7μF,16V
C7063		NCB11CK-475X	CAPACITOR,C,D	4.7μF,16V
C7067		NCB31CK-104X	CAPACITOR,C,D	0.1μF,16V
C7069		NCB31EK-103X	CAPACITOR,C,D	0.01μF,25V
L101		NQL034K-330X	COIL	33μH
L1601		NQL38DK-100X	COIL	10μH
L1602		NQL144K-100X	COIL	10μH
L2001		NQL144K-101X	COIL	100μH
L2003		NQL034K-470X	COIL	47μH
L2021		NQL144K-470X	COIL	47μH
L2051		NRSA63J-0R0X	MG RESISTOR	0Ω,1/16W
L2052		NRSA63J-0R0X	MG RESISTOR	0Ω,1/16W
L2071		NRSA63J-0R0X	MG RESISTOR	0Ω,1/16W
L2072		NRSA63J-0R0X	MG RESISTOR	0Ω,1/16W
L3002		NQR0006-001X	FERRITE BEAD	
L3003		NQR0129-002X	FERRITE BEAD	
L3502		NQL38DK-220X	COIL	22μH
L4005		NQL38DK-220X	COIL	22μH
L4201		NQR0006-001X	FERRITE BEAD	
L4501		NQR0006-001X	FERRITE BEAD	
L4502		NQL034K-220X	COIL	22μH
L4701		NQL38DK-220X	COIL	22μH
L5201		NQL38DK-470X	COIL	47μH
L5202		NQL38DK-220X	COIL	22μH
L5203		NQL38DK-220X	COIL	22μH
L6001		NQL52EM-100X	COIL	10μH
L6002		NQL52EM-100X	COIL	10μH
L6101		NQL52EM-390X	COIL	39μH
L6106		NQL144K-101X	COIL	100μH
L6107		NQL144K-101X	COIL	100μH
L6201		NQL52EM-470X	COIL	47μH
L6301		NQL52EM-390X	COIL	39μH
L6306		NQL52EM-470X	COIL,C	47μH
L6401		NQL52EM-470X	COIL	47μH
L6501		NQL52EM-470X	COIL	47μH
L6601		NQL52EM-221X	COIL	220μH
L6602		NQL144K-221X	COIL	220μH
L6606		NQL144K-220X	COIL	22μH
L6701		NQL52EM-100X	COIL	10μH
L7001		NQL38DK-220X	COIL	22μH
L7002		NQL085J-8R2X	COIL,C,D	8.2μH
L7005		NQL38DK-220X	COIL,C,D	22μH
L7007		NQL38DK-220X	COIL,C,D	22μH
L7008		NQL38DK-220X	COIL,C,D	22μH
L7012		NQL144K-100X	COIL,A,B	10μH
X101		NAX0251-001X	CRYSTAL RESONATOR	
X102		NAX0325-001X	CRYSTAL RESONATOR	
X3001		QAX0565-001	CRYSTAL RESONATOR	
WR1		WJV0039-001A	E-PRIMARY WIRE,JUMP WIRE	
△ J101		QAB0022-001	LI BATTERY	

#	△ REF No.	PART No.	PART NAME, DESCRIPTION
J504		LY31356-002A	JACK UNIT,A/V OUT
J505		QND0068-001	S JACK,S OUT,D
CN1		QGF0507F3-10X	FFC/FPC CONNECTOR,(1-10)DRM.M
CN2		QGF0507F3-14X	FFC/FPC CONNECTOR,(1-14)SENS
CN3		QGF0505F2-18X	FPC CONNECTOR,(1-18)CAPS.MTR
CN4		QGA1201F2-06X	CONNECTOR,(1-2)L.MTR(5-6)LIGT
CN5		QGF0507F1-11X	FPC CONNECTOR,(1-11)VIDEO HED
CN7		QGF0507F3-11X	FFC/FPC CONNECTOR,(1-11)AC HD
CN8		QGA1201C2-02X	CONNECTOR,(1-2)MIC
CN11		QGF0507F1-20X	FPC CONNECTOR,(1-20)C.VF,C,D
CN12		QGA1201F2-05X	CONNECTOR,(1-5)B/W VF,A,B
CN13		QGF0507F3-14X	FFC/FPC CONNECTOR,(1-14)Z.OPE
CN15		QGF0507F1-22X	FPC CONNECTOR,(1-22)OP
CN18		QGF0507F3-12X	FFC/FPC CONNECTOR,(1-12)T.OPE
CN22		QGF0507F3-14X	FFC/FPC CONNECTOR,(1-14)CCD
CN25		QGB0506L1-30X	CONNECTOR,(1-30)JIG
CN28		QGA1002F1-13X	CONNECTOR,(1-13)REAR UNIT
△ F6001		NMFZ007-2R0X-K	FUSE 2.0A
△ F6002		NMFZ010-R50X-A	FUSE 0.5A
OT1		LY30016-049A	SPACER-A, FOR WR1
OT2		LY30029-0B6A	SPACER(A), FOR LI BATTERY

\*\*\*\*\*

### CCD BOARD ASSEMBLY <02>

PW	YB20899C-01	CCD BOARD ASSY	
Q5301	2SC3931/CD/-X	TRANSISTOR	
	or 2SC4774/RS/-X	TRANSISTOR	
R5302	NRSA02J-562X	MG RESISTOR	5.6kΩ,1/10W
R5303	NRSA02J-0R0X	MG RESISTOR	0Ω,1/10W
C5301	NCF21EZ-104X	CAPACITOR	0.1μF,25V
C5302	NBP21EM-155X	T CAPACITOR	1.5μF,25V
C5304	NCF21EZ-104X	CAPACITOR	0.1μF,25V
C5305	NDC21HJ-270X	CAPACITOR	27pF,50V

\*\*\*\*\*

### C-VF BL BOARD ASSEMBLY <06> (AX761U,SX860U)

PW	YB20901A	C-VF BL BOARD ASSY	
Q7560	UMD3N	TRANSISTOR	
Q7562	PUMX1	PAIR TRANSISTOR	
D7560	NSCW100A0/ST/-X	LE DIODE	
R7560	NRVA63D-332X	CMF RESISTOR	3.3kΩ,1/16W
R7561	NRVA63D-561X	CMF RESISTOR	560Ω,1/16W
R7562	NRSA63J-360X	MG RESISTOR	36Ω,1/16W
R7565	NRSA63J-333X	MG RESISTOR	33kΩ,1/16W
C7551	NCB31CK-104X	CAPACITOR	0.1μF,16V
C7552	NCB31CK-104X	CAPACITOR	0.1μF,16V
C7560	NCB31CK-104X	CAPACITOR	0.1μF,16V
CN7551	QGF0505F1-20X	FPC CONNECTOR,(1-20)MAIN	
CN7552	QGF0501F1-16X	FPC CONNECTOR	